

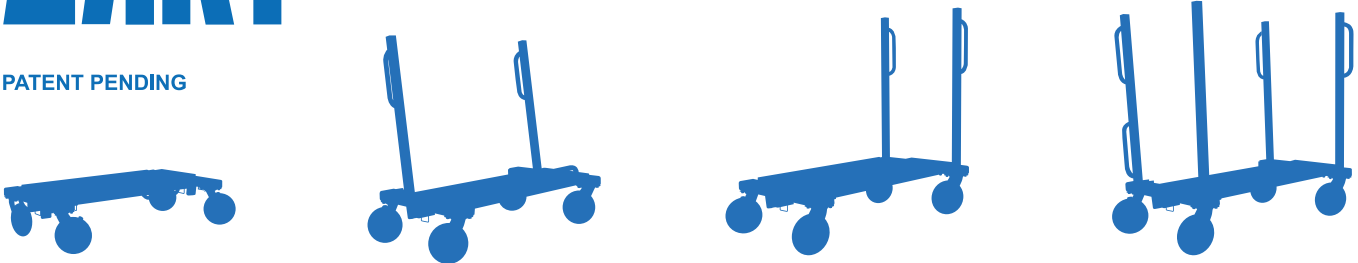
MAGNUM™



TRANSFORMER CART

4-IN-1 MATERIAL CART

PATENT PENDING



PLEASE READ INSTRUCTIONS AND WARNINGS BEFORE USE.

WARNING

Metal conducts electricity.
Keep away from electricity.



Maximum Load: 3200 lbs.
Do not overload.



IMPORTANT SAFETY INFORMATION

- The warnings, cautions, and instructions in this Guide cannot cover all possible conditions or situations that could occur. Exercise safe practices and caution when using this cart. Always be aware of the environment and ensure that the cart is used in a safe and responsible manner.
- Do not use the cart while you are tired or under the influence of drugs, alcohol, or medication.
- Keep children and bystanders away from the work area while operating the cart. Never allow children to handle or ride on the cart.
- Always follow all OSHA requirements and local or national legislation which apply to the operation of this cart.

TRANSPORTING, STORAGE AND CARE.

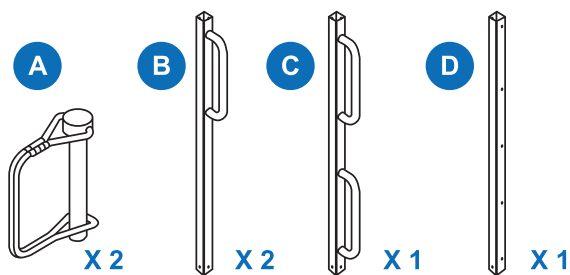
- Never transport the cart with the handles unlocked. Either remove the handles and transport them separately or ensure ALL handles are locked in place. Failure to properly stow and lock handles may lead to damage to the product and/or personal injury.
- Store the cart in a clean and dry place.
- Keep cart clean, free from debris, and foreign materials.
- Do not expose to corrosive substances. Acids are corrosive and can affect strength of the cart.

PRACTICE SAFE OPERATION:

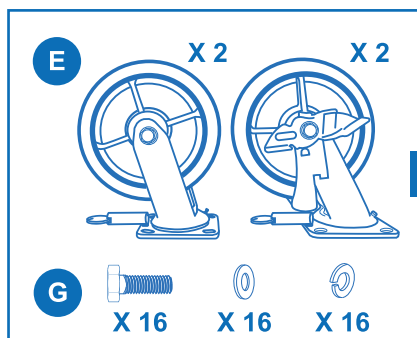
- Inspect before use for damaged/missing parts
- Ensure that all handles are fully seated before moving or loading the cart. Failure to fully seat handle may cause the handle to pull out which may lead to personal injury.
- Use the right product for the job. Do not modify cart and do not use cart for purpose for which it was not intended. Use only genuine Magnum Tool Accessories with this cart.
- When two carts are connected and under full load, a single worker should not try to move the cart by himself/herself. Attempting to push an excessive load without help may lead to personal injury.
- Always distribute options and weight on the cart evenly. Uneven weight distribution could cause cart to tip.
- Do not drop or bounce load items on cart.
- When the cart is configured as a drywall cart (also known as panel dolly), the height of the item being transported should not exceed 4' (overhang should not exceed base of the cart).
- Unlike a traditional drywall cart/panel dolly, the base of the cart is not angled. Do not use to transport panels or large sheets of drywall without the blocking M Handle in place. Failure to use the correct accessories may lead to damage to the product and/or personal injury.
- Maintain a firm grip and a steady pace when pushing the cart.
- Do not propel the cart with a powered device or use a moving vehicle to push the cart in any way.
- Wear appropriate personal protective equipment while operating or working near this cart.

WORK AREA SAFETY

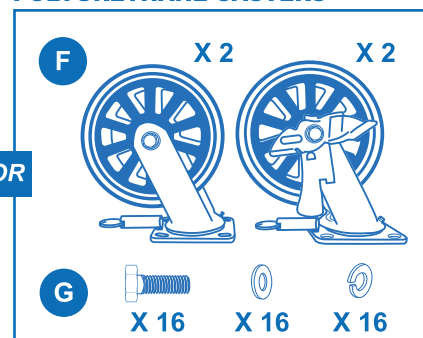
- Inspect the work area before each use. Keep work area clean, dry, and well lit.
- This cart should never be used on an uneven surface. Ensure the surface is free of pits, holes, debris, or other obstructions.
- Only use cart on a firm and level surface. This cart should never be used on a slope. This cart is very heavy and may roll backwards which may result in damage to the product and/or personal injury.
- Never park this cart on a sloped surface, with or without a load, even with the brakes engaged.
- Never ride on or transport an individual on the cart.



STANDARD CASTERS

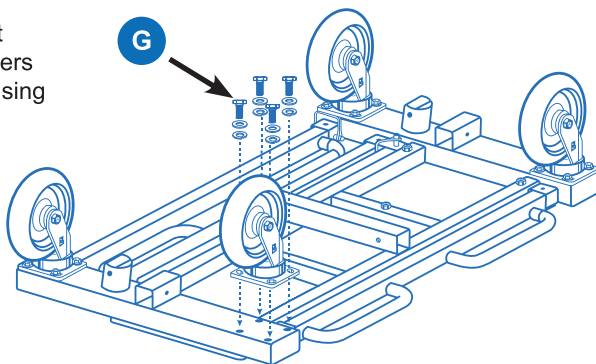


POLYURETHANE CASTERS

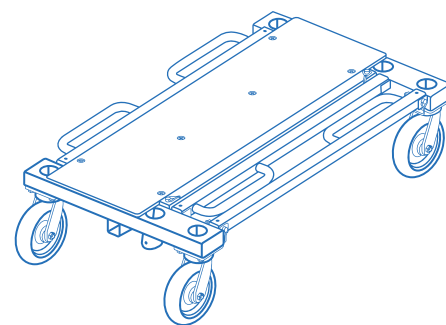


1. INSTALL CASTERS

- Install 4 Hex Screws, Flat Washers, and Split Washers (G) per caster (16 total) using a 9/16" (15mm) wrench.
- Max load capacity - Standard Casters: 3200 lbs
- Max load capacity - Polyurethane Casters: 3200 lbs/5400 lbs when carts are connected.

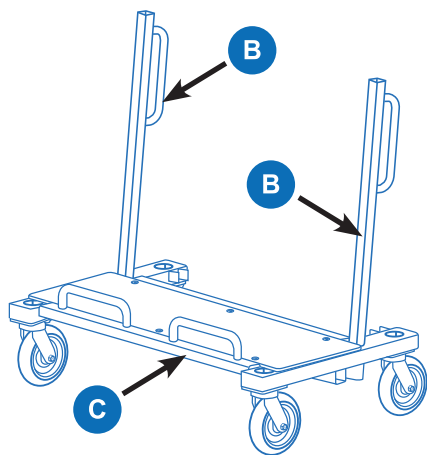


2. FLAT DOLLY



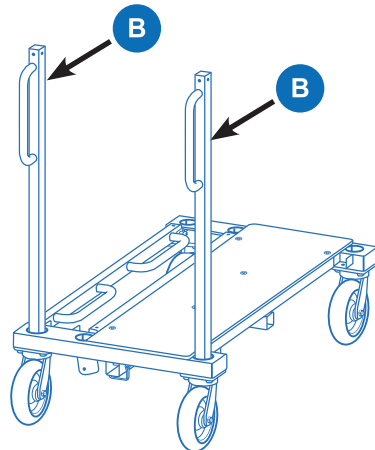
3. DRYWALL CART

- Position M Handle (C) upwards to secure drywall.



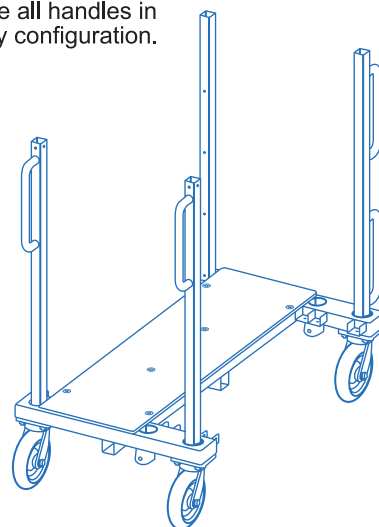
4. FLAT CART

- Position D Handle (B) towards the user for easy handling.



5. STAKE CART

- Use all handles in any configuration.



CONNECTED CARTS

- Use Straight/Connecting Handle (D) to connect carts. Length or width can be adjusted.
- Max load capacity - Standard Casters: 3200 lbs when carts are connected.
- Max load capacity - Polyurethane Casters: 5400 lbs when carts are connected.



Secure Straight/Connecting Handle (D) with Spring Clips (A)

