

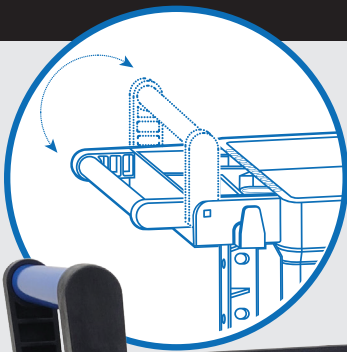
MAGNUM

NEW

4117

PRO SERIES

ADAPTABLE SERVICE CART



ADAPTABLE HANDLE

V-CUT



4117 PRO SERIES 2-SHELF ADAPTABLE SERVICE CART

- Adaptable handle can be positioned flat or ergonomically to suit the user
- Two deep tray shelves to keep things in place
- Tough polypropylene structural foam construction for years of rugged dependability
- V-Cut securely holds material to assist with accurate measuring and cutting
- Built in Ladder Hooks on front of cart
- Narrow width to maneuver in tight spaces
- Easily attach Vault Tool Box for added safety and security

CASTER OPTIONS



5" STANDARD NON-MARKING



5" HEAVY-DUTY NON-MARKING



CART-K05

4117 PRO SERVICE CART W/ 5" HD CASTERS AND 4117 VAULT TOOL BOX

ITEM CODE

INCLUDES

CART4117-PRO-A5S

4117 PRO SERIES CART W/ 5" STANDARD CASTERS (2 SWIVEL, 2 FIXED)

LOAD CAPACITY

ITEM WEIGHT

BOX COUNT

500 LB

29.8 LB

1 CART

CART4117-PRO-A5H

4117 PRO SERIES CART W/ 5" HEAVY-DUTY CASTERS (2 SWIVEL W/BRAKE, 2 FIXED)

500 LB

32.3 LB

1 CART

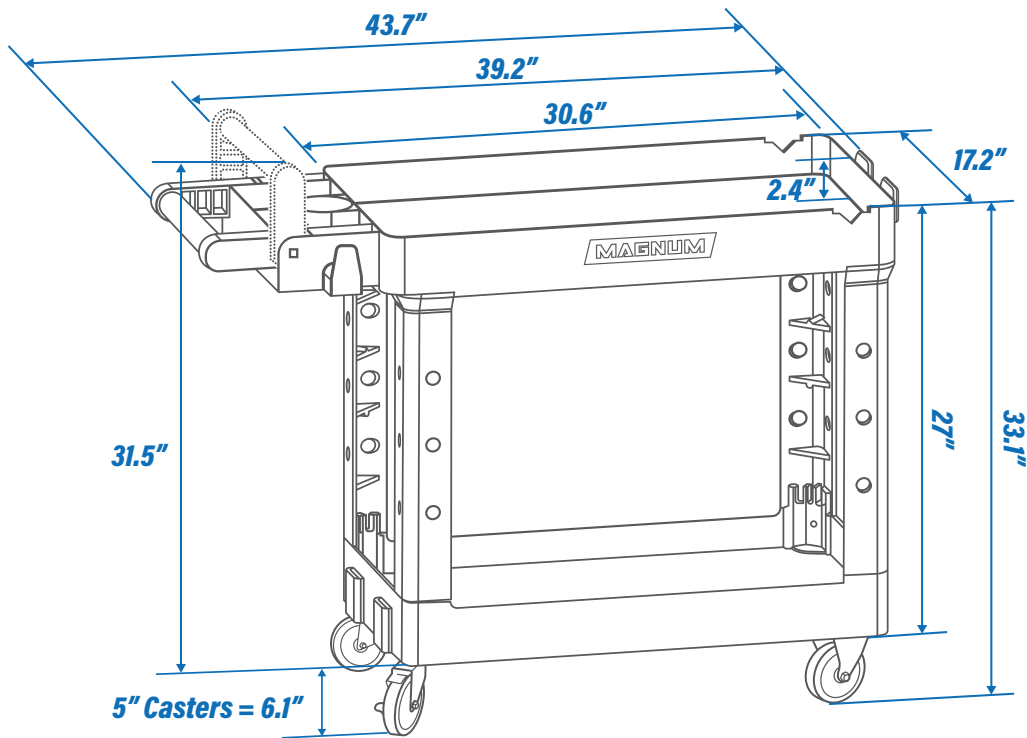
NEED HELP? 1 (888) 443-8889

MAGNUM-TOOL.COM



MAGNUM

DIMENSIONS



CART4117-PRO-A5S

ITEM CODE	DESCRIPTIONS	BOX SIZE	NET WEIGHT	GROSS WEIGHT
CART4117-PRO	4117 Pro Series Service Cart (Frame Only - No Casters)	40.2" x 18.5" x 6.5"	25.3 LB	28 LB
CARTA-A5S	5" Standard Caster Kit, 1" Width (2 Swivel, 2 Fixed) w/ 16 Screw Hardware	11.8" x 5.5" x 4.75"	4.5 LB	5 LB

CART4117-PRO-A5H

ITEM CODE	DESCRIPTIONS	BOX SIZE	NET WEIGHT	GROSS WEIGHT
CART4117-PRO	4117 Pro Series Service Cart (Frame Only - No Casters)	40.2" x 18.5" x 6.5"	25.3 LB	28 LB
CARTA-A5H	5" Heavy-Duty Caster Kit, 1-1/4" Width (2 Swivel w/ Brake, 2 Fixed) w/ 16 Screw Hardware	13" x 10.5" x 4.5"	7 LB	8 LB

