

4426 / 4117 SERIES

ADAPTABLE SERVICE CART



*4426 PRO model shown.

PACKAGE CONTENTS

PART	DESCRIPTION	QTY
A	Upper Shelf	1
B	Lower Shelf	1
C	Legs	4
D	Handle Bar	1
E	Handle Brackets	2
F	M6 Screws*	24
G	M10 Carriage Bolts	2
H	M10 Washers	2
I	M10 Nuts	2
J	Fixed Casters*	2
K	Swivel Casters*	2

* Casters with hardware (16 M6 Screws) may not be included in the package. See box label for details.

Installing a Vault?

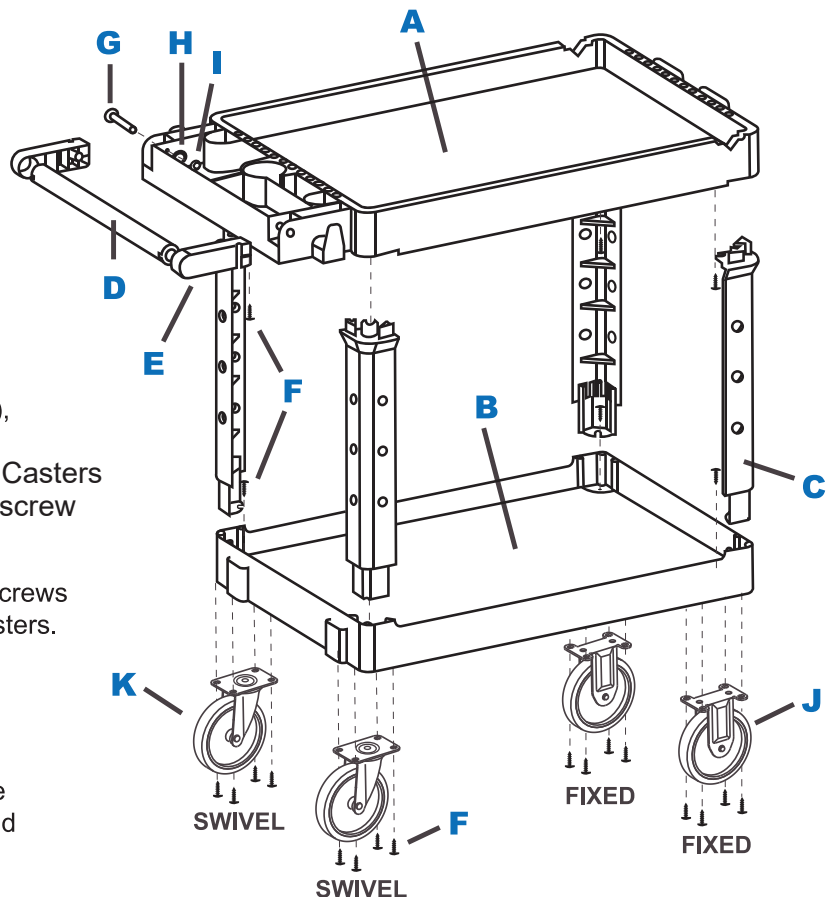
VAULT

Notice: If you are installing a Vault on your Service Cart, please read the Vault instructions, before assembling this service cart. We will be recommending that you install the top shelf last.

SEE BACK PAGE

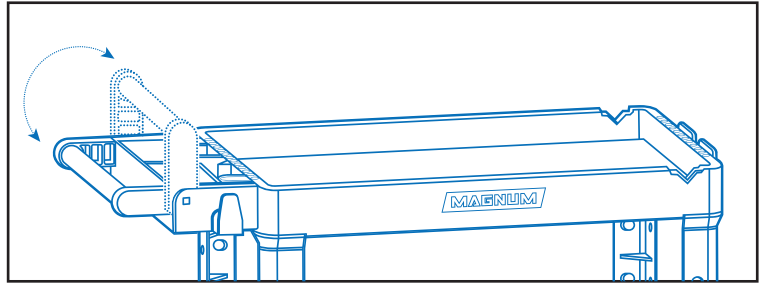
ASSEMBLY INSTRUCTIONS

- Place Lower Shelf (B) on the floor to begin assembly.
- Secure each Leg (C) to Lower Shelf (B) with one M6 Screw (F).
- Set Upper Shelf (A) onto Legs. Flip the entire cart upside down and secure each Leg (C) to Upper Shelf (A) with one M6 Screw (F).
- Install Swivel Casters (K) onto Lower Shelf (B), towards the handle side of cart. Secure each Swivel Caster (K) with four M6 Screws (F). 8" Casters require an additional washer between the screw head and caster plate.
- Install Fixed Casters (J) and secure with M6 Screws (F), then stand the cart right side up on the casters.
- Attach Handle Brackets (E) to Handle Bar (D). Align grooves for proper installation.
- Install the Handle at your desired position (See "Positioning Adaptable Handle" on Page 2), and secure with one M10 Carriage Bolt (G), one Washer (H) and one Nut (I) on each side.



POSITIONING THE ADAPTABLE HANDLE

The Handle can be installed in one of the two positions, either up (ergonomically), or down (flat). Installation is the same for either position (follow Step 7 on Page 1). To adapt the cart to a new handle position, simply remove the bolts and reposition the handle.



Installing a Vault on your Service Cart?

VAULT

Vault Security Paneling

Fits

CART4426-VS

4426 Pro Series Carts

Vault Tool Box

Fits

CART4117-BS

4117 Series Carts

CART4426-BS

4426 Pro Series Carts



When installing a Vault, it's best to refer to the Vault Instructions, found in the Vault packaging, before fully assembling the Service Cart. For instance, we recommend that you do not install the top shelf of the Service Cart until the Vault has been installed on all four sides. Want more tips? Read below.

INSTALLING VAULT SECURITY PANELING

It's easiest to install the Vault Security Paneling before installing the top shelf (A) of the service cart. You will have easier access to the interior portion of the service cart when securing the bolts and nuts required to attach the paneling.

INSTALLING VAULT TOOL BOX

It is recommended to install the Magnum Vault Tool Box after Step 2, and before Step 3 of the Assembly Instructions on Page 1. Without the Upper Shelf of the Service Cart in the way, gaining access to install the Tool Box becomes much easier.



Scan the QR code for
INSTALLATION VIDEO

