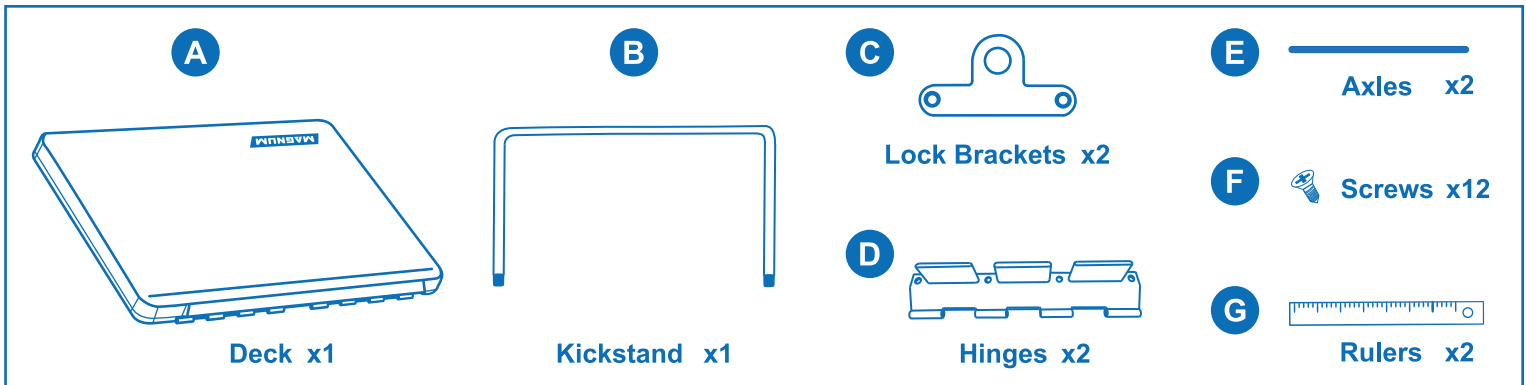


MAGNUM™

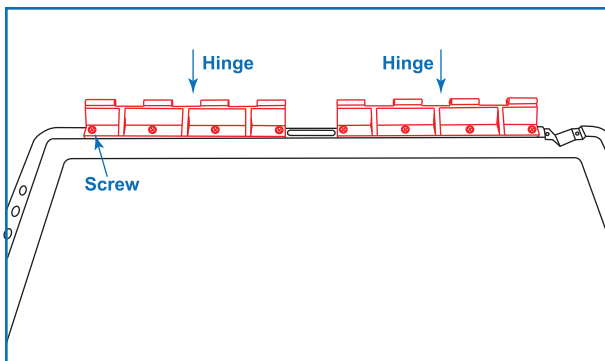
DRAFTDECK
DRAFTING TABLE FOR SERVICE CARTS

PACKAGE CONTENT



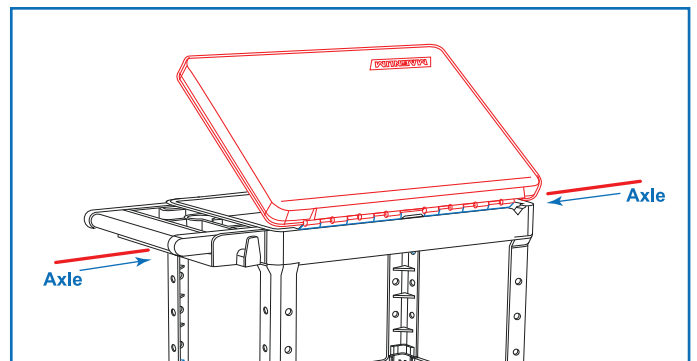
1. INSTALL HINGES

- Align the two hinges (D) with the edge of the service cart. Attach as illustrated below.
- Secure the hinges using 8 screws (F). (An electric drill is recommended)



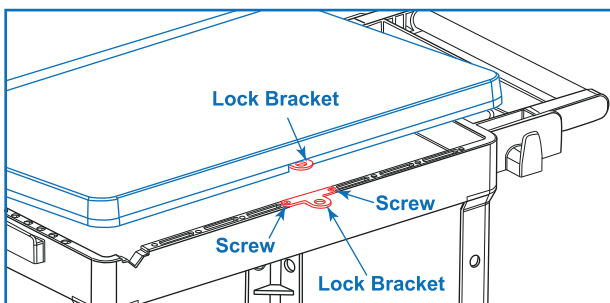
2. INSTALL DECK

- Align the deck (A) with the two hinges (D).
- Secure by installing axle (E) through each hinge (D).



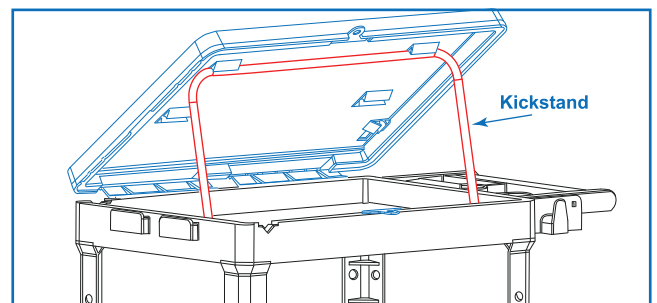
3. INSTALL LOCK BRACKETS

- Install the lock brackets (C) - one piece attached to the deck, the other piece attached to the service cart.
- Secure the two brackets (C) using 4 screws (F).



4. USE OF KICKSTAND

- Use the kickstand (B) as needed. There are two positions available. Secure the kickstand (B) by inserting the top part into the grooves as shown below.



MAGNUM™