

MAGNUM

DRAFTDECK

PLANNER TABLE FOR SERVICE CARTS

CART4426-DD



PLAN AND
REVIEW
DOCUMENTS



KEEP ITEMS
SAFE AND
SECURE



ROTATE LID
TO DESIRED
POSITION





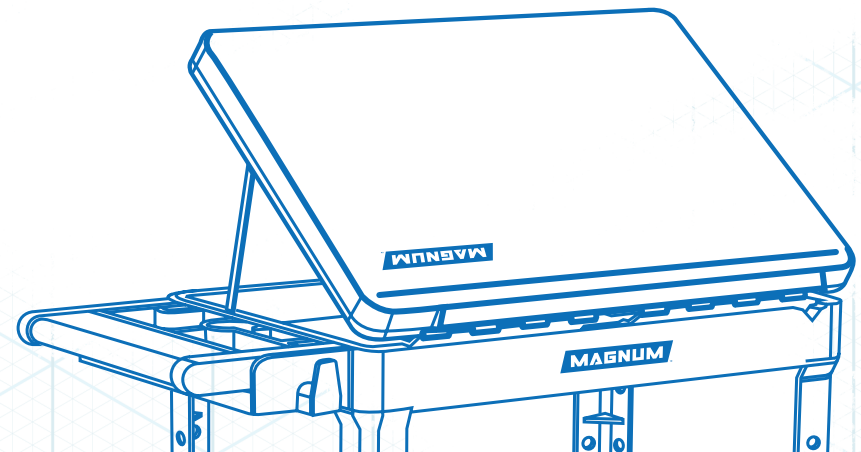
MAGNUM™

DRAFTDECK

Introducing the **Magnum DRAFTDECK Planner Table (CART4426-DD)**, a versatile accessory for our heavy-duty Magnum 4426 Pro-Series Service Cart. This innovative accessory transforms the large upper tray of the service cart into a secure storage area, while also extending the top into a flat or angled workspace perfect for collaboration.

When you need a completely open top, the DRAFTDECK's lid conveniently flips down along the backside of the cart. Alternatively, when you require an ergonomic and collaborative work surface, our patent-pending design allows you to position the lid at two ergonomic viewing angles: low and high.

Lightweight yet durable, the blow-molded top is easy to mount or remove with just 12 P3 screws, making it a practical addition for construction teams needing a versatile and secure planning space on the go. The Magnum DRAFTDECK Planner Table enhances your productivity by enabling flat work surfaces, secure storage, and adaptable work angles, all in one robust and portable design.



MOBILE. SECURE. VERSATILE.

Magnum keeps your assets secure and your productivity moving.



The complete package for secure jobsite mobility.

At Magnum, we believe in the transformative power of well-designed systems. The DRAFTDECK Planner Table is a key enhancement of our Service Cart system. When paired with the robust build quality of our Pro Series Service Cart, job site ready 9" Flat-Free Casters, and Magnum Vault Security Paneling, the DRAFTDECK becomes an essential tool to complete the package. It's one piece of a versatile utility solution that keeps you moving forward efficiently and effectively.



Magnum 4426 Pro Series 2-Shelf Service Cart equipped with 9" Flat-Free Casters, Magnum Vault Security Paneling and the DRAFTDECK Planner Table.



NEED HELP? 1 (888) 443-8889



VISIT MAGNUM-TOOL.COM



MAGNUM™

DRAFTDECK

PLANNER TABLE FOR SERVICE CARTS

The **Magnum DRAFTDECK Planner Table** is a versatile accessory for the Magnum 4426 Pro-Series Service Cart. It converts the upper tray into a secure storage area and flat workspace. The flip-top lid positions at two ergonomic angles for easy document review and collaboration. For standard use, stow the lid against the cart side. Lightweight, durable, and easy to mount or remove with 12 P3 screws, it's perfect for all construction phases. Enhance productivity with adaptable work angles, secure storage, and robust design.



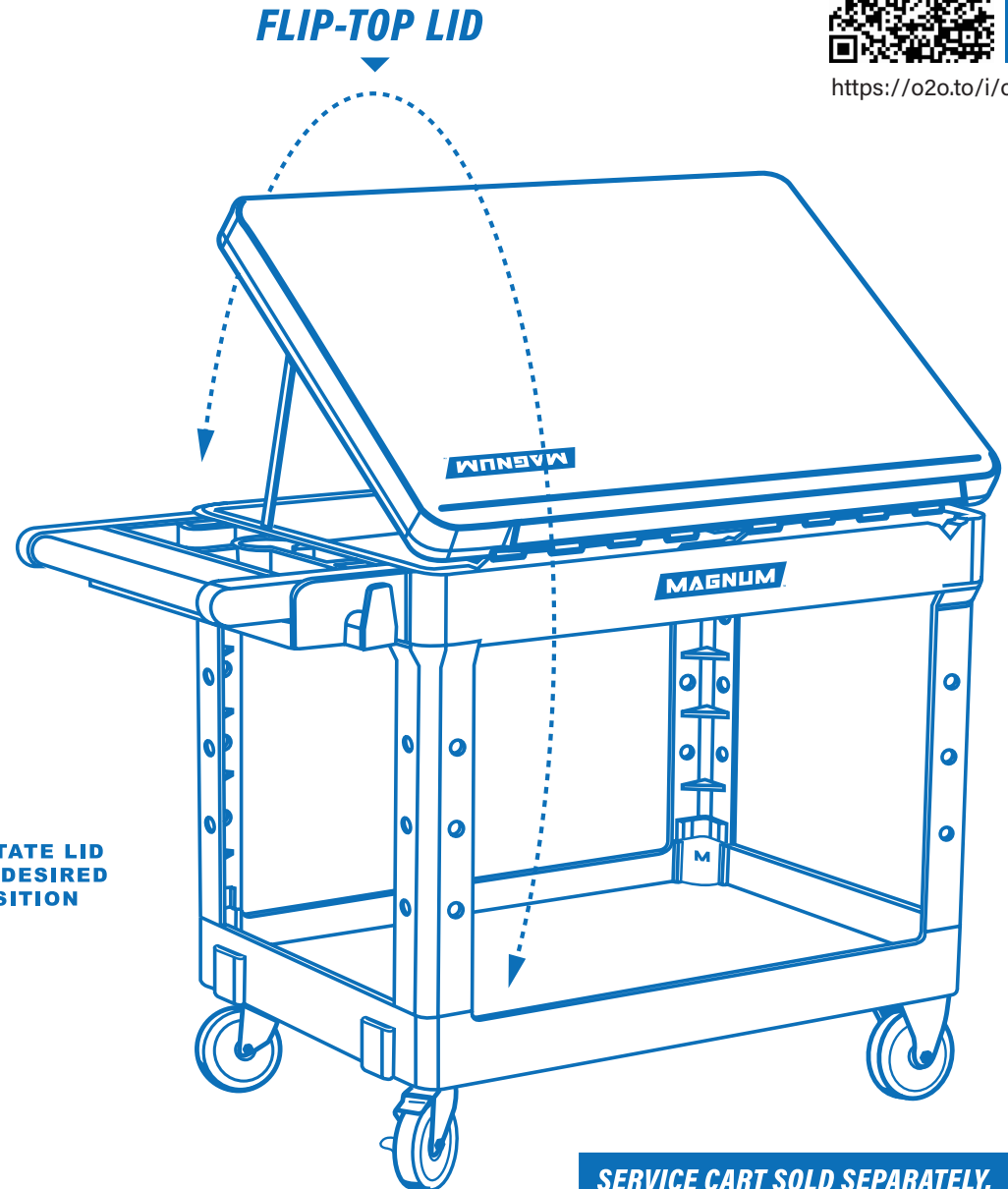
**PLAN AND
REVIEW
DOCUMENTS**



**KEEP ITEMS
SAFE AND
SECURE**



**ROTATE LID
TO DESIRED
POSITION**



SERVICE CART SOLD SEPARATELY.

- ▶ **37" X 26-1/2" TABLE TOP SURFACE**
- ▶ **FITS MAGNUM 4426 PRO-SERIES SERVICE CARTS**

ITEM CODE	DESCRIPTION	LENGTH	WIDTH	HEIGHT	WEIGHT	PALLET COUNT	PURCHASE UNIT
CART4426-DD	DRAFTDECK PLANNER TABLE	37 IN	26-1/2 IN	2-1/8 IN	14 LB	44	1 DRAFTDECK

MAGNUM™

NEED HELP? 1 (888) 443-8889



VISIT [MAGNUM-TOOL.COM](https://www.magnum-tool.com)



▶ VIDEO

<https://o2o.to/i/oZtljS>