



Installation  
Video



# VAULT

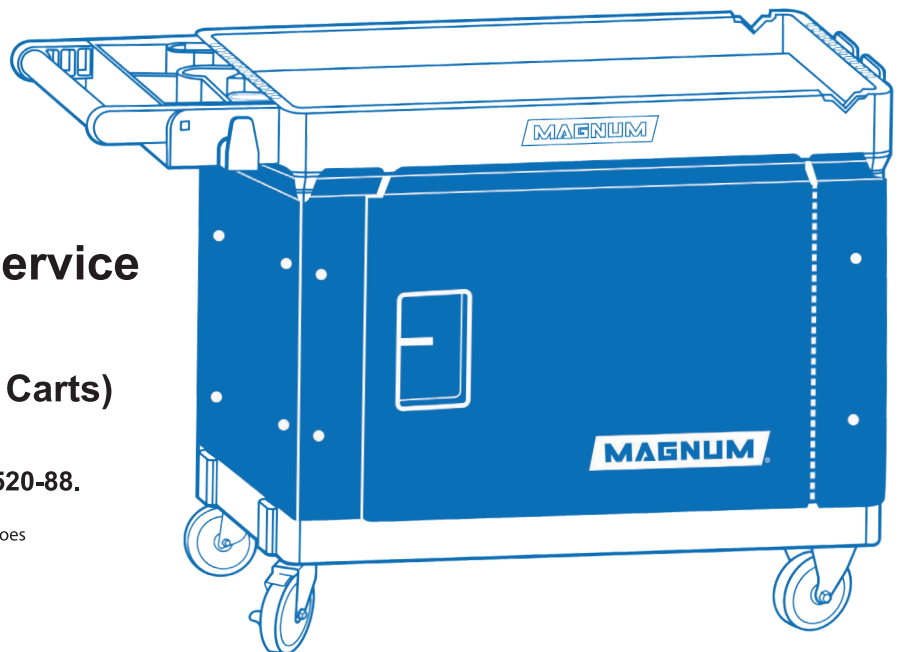
## MOBILE SERVICE CART SECURITY PANELING

**CART4117-VS**  
**CART4426-VS**

**Magnum Vault Mobile Service  
Cart Security Paneling**  
(for 4426\*/4117 Series Service Carts)

**\*Also compatible with Rubbermaid Cart 4520-88.**

Rubbermaid is a trademark of Newell Brands. Use of the trademark does not imply affiliation with or endorsement.



# INSTALLATION INSTRUCTIONS

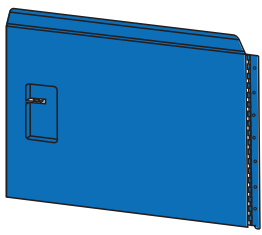
**PLEASE READ INSTRUCTIONS AND WARNINGS BEFORE USE.**



Magnum Tool Corp., Inc. offers a one-year limited warranty on the Magnum Vault against manufacturing defects from the date of purchase. Excluded from all warranties are inbound freight or freight losses. At its own discretion, Magnum Tool Corp., Inc. will replace or repair the Vault and return it within a reasonable time. This warranty does not cover consequential damages, incidental damages, or damages to persons or property connected to the use of the Vault. Returns are not accepted without a valid Return Merchandise Authorization (RMA) Number issued by Magnum Tool Corp., Inc. Please call 1-888-443-8889 to request an RMA Number prior to sending back the product.

## PACKAGING CONTENTS

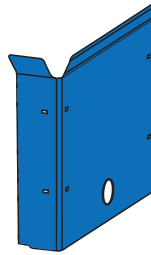
Panel A x1



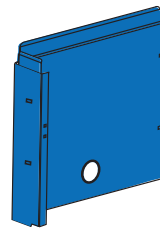
Brace x1



Panel B x1



Panel C x1



Panel D x1



**Tool Rail (Long) x1**  
(Not included with 4117 model)



**Tool Rail (Short) x2**  
(Not included with 4117 model)

Plastic Insert\*

x16



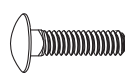
Button\*

x12



25mm M6  
Carriage Bolt

x16



M6 Washer

x12



M6 Flange  
Nut

x22



M5 Washer

x4



M5 Split  
Washer

x4

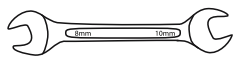


Acorn Nut

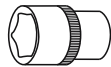
x4



8mm/10mm Wrench x1



10mm Socket Head x1



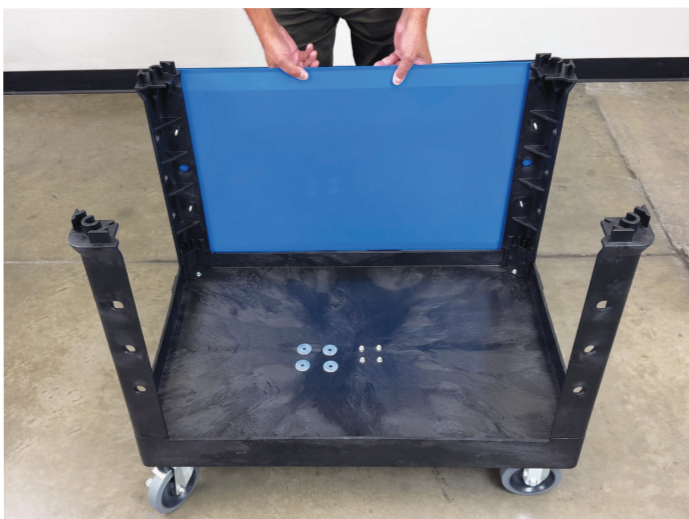
**Ensure that all parts are in the packaging.**

**Helpful Tip:** Using your own Nut Driver with provided 10mm Socket Head would be ideal for installing nuts and bolts. In addition, a Wrench is included.

## NOTICE (For Rubbermaid Installation)

\* Only 4 **Plastic Inserts** are needed if installing on Magnum CART4426/CART4117. When installing on Rubbermaid cart, remove the 12 pre-installed **Buttons** and use the provided **Plastic Inserts** instead (Step 1-2). The rest of the Installation Steps are exactly the same for Magnum and for Rubbermaid carts.

## ASSEMBLY INSTRUCTIONS



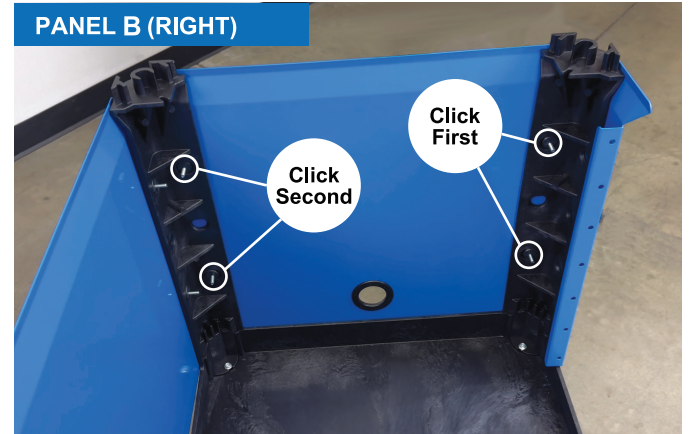
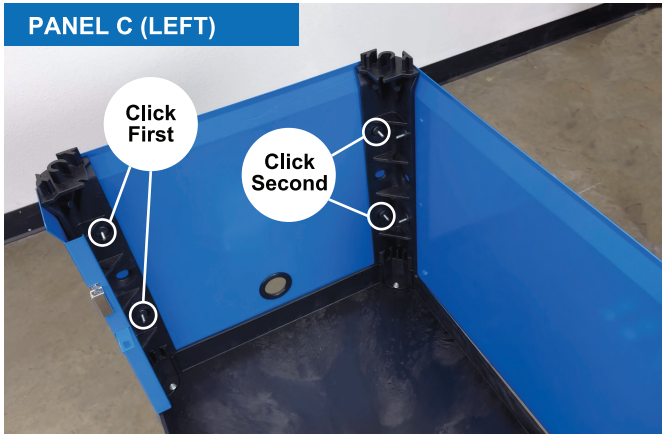
### Helpful Tip:

**Remove the top shelf of the service cart for easier Vault installation.**

**1**

Aligning the panel buttons to the holes of service cart legs, set **Back Panel D** in place and snap onto the cart legs.

- 2** Position **Left Panel C** and snap onto the cart legs. Make sure to click in the two door-side buttons first before clicking in the other side. Repeat for **Right Panel B**.



- 3** Hand tighten **M6 Washers** and **M6 Flange Nuts** to all 12 pre-installed **M6 Carriage Bolts**.



- 4** Attach the 4 **M6 Carriage Bolts**, **Plastic Inserts** and **M6 Nuts** to both sides of the front panel.



- 5** Install the top shelf of the service cart by pressure fitting all 4 corners until the top fits flat.

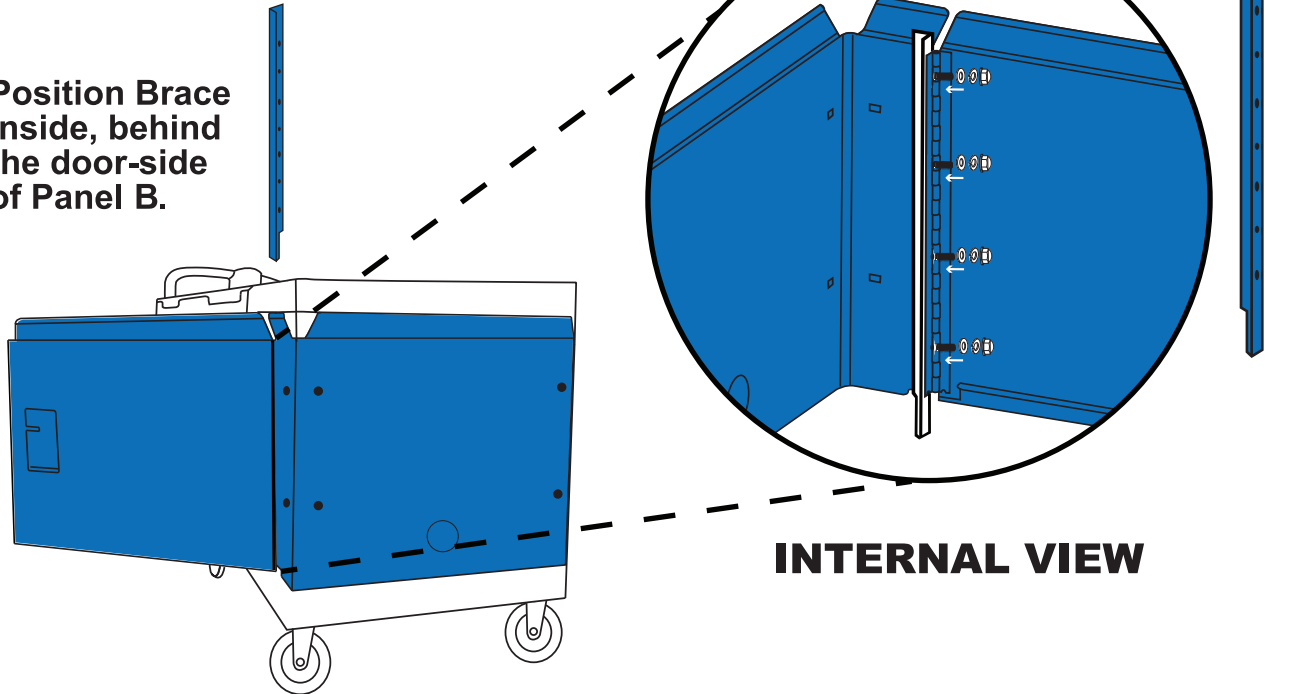


- 6** Secure all interior bolts with provided **10mm Socket Head** and your own **Nut Driver**.



- 7** Position the **Brace** as shown. Set the door in place and secure with **4 M5 Washers, M5 Split Washers, and M5 Acorn Nuts**. Tighten the Acorn Nuts with the 8mm Wrench (provided) or a nut driver with 8mm socket head (not provided).

Position **Brace** inside, behind the door-side of **Panel B**.



- 8** Optionally, install **Tool Rails** on all three interior panels using the **M6 Flange Nuts**. (Not applicable for 4117 model.)



- 9** Secure the top tray of service cart using the four screws (not included in the vault package, but come with the service cart).



**WARNING**

Read, understand and follow all instructions and safety rules before use. Failure to do so could result in injury.



**CAUTION**

Never store flammables or any hazardous materials inside the Vault. Vault door should be secured when not in use, including transporting.

**NOTICE**

Magnum Tool Corp., Inc. is not responsible for any incidences or injuries to persons or property resulting from any unintended use of this product.